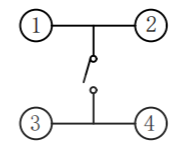
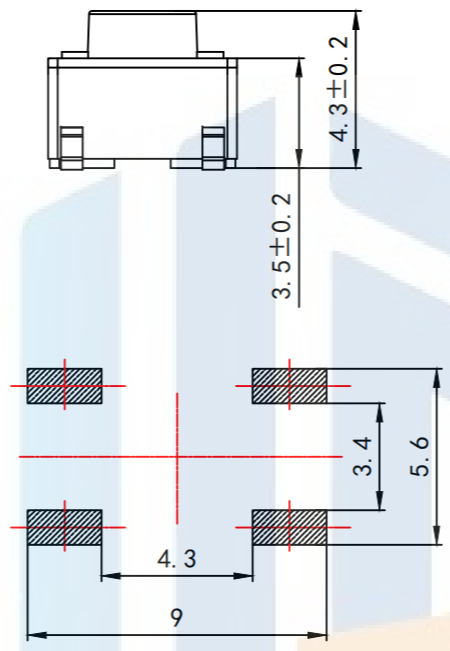
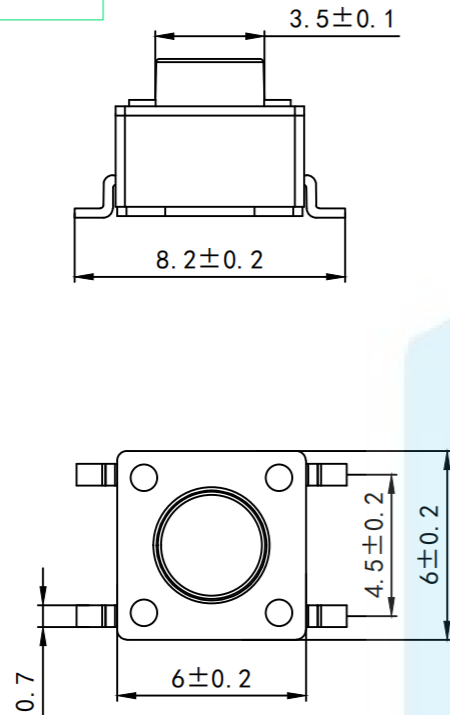
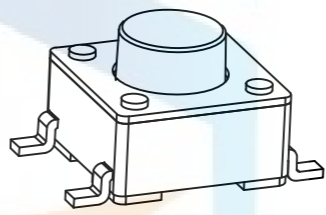
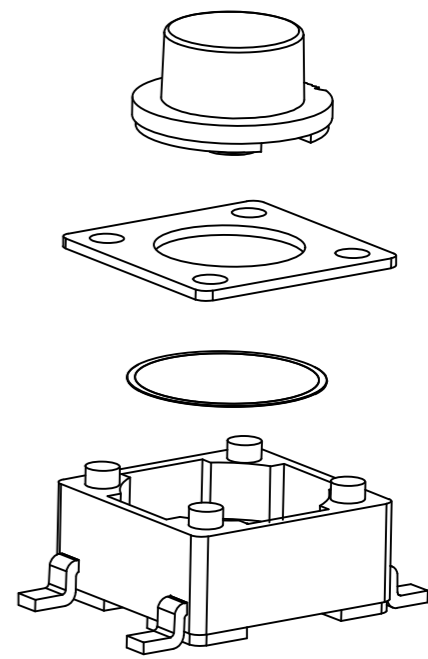


RoHS2.0
Compliant




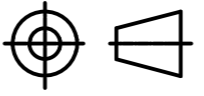
电路图



PCB. 焊接图

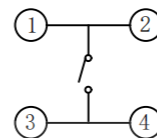
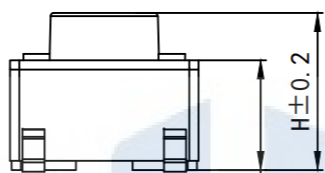
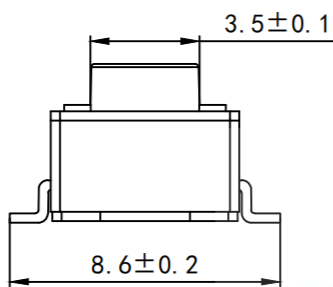
Key Technical Specifications:

1. Rating: 50mA DC12V
2. Contact resistance: $\leq 50m\Omega$
3. Operating force: $250 \pm 40gf$
4. Itinerary: $0.25 \pm 0.1mm$
5. Insulation resistance: $\geq 100M\Omega$
6. Electrical strength: 250V 50HZ 1Min.
7. life span: 200,000 Cycles

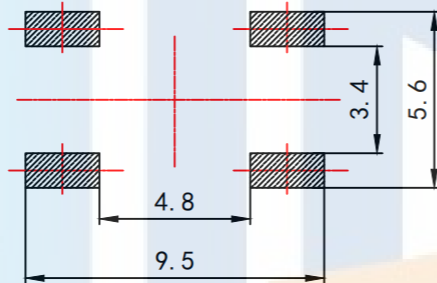
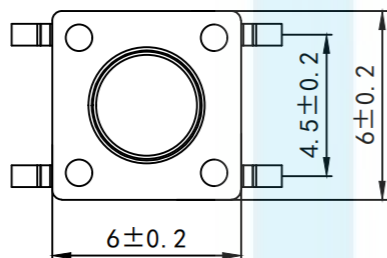
TOLERANCE	X. XXX	± 0.05		东莞市恒祺电子科技有限公司 Dongguan Hengqi Electronic Technology Co., Ltd	
	X. XX	± 0.15		https://www.hq-dz.com phone: 15812872448	
X. X	± 0.20		TITLE:	PART NO: HQ-TS-D003	
X.	± 0.30		轻触开关	DRAWING NO: 6*6*H脚距8.2	
ANGLE	$\pm 5.0^\circ$				
PROTECTON 	DRAWN:		DATE:	18-10-08	UNIT: mm
	CHECKED:		DATE:	18-10-08	SCALE: FULL
	APPROVED:		DATE:	18-10-08	SIZE: A4

RoHS2.0
Compliant

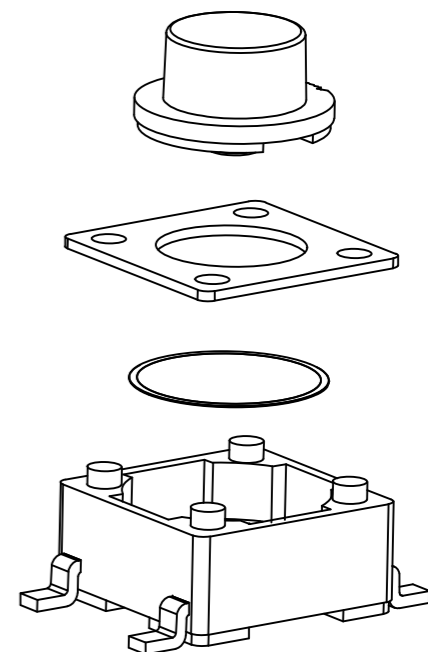
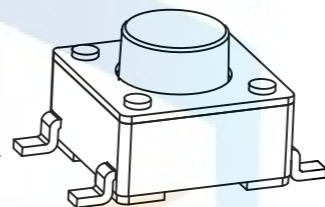
H	
4.3	4.5
5.0	5.5
6.0	6.5
7.0	7.5
8.0	8.5
9.0	9.5
10.0	10.5
11.0	12.0



电路图



PCB. 焊接图

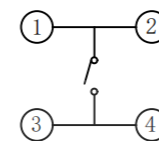
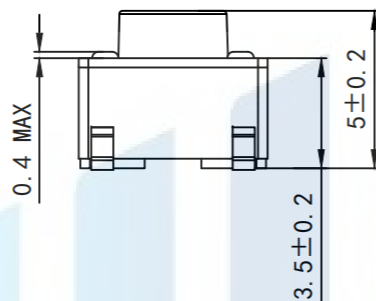
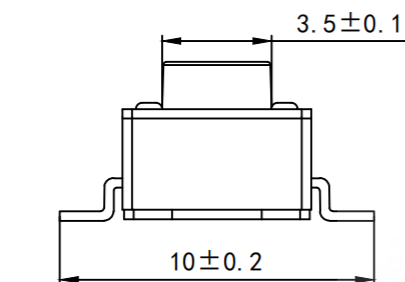


Key Technical Specifications:

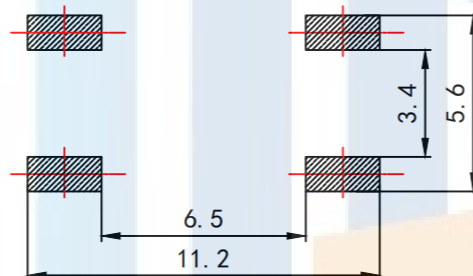
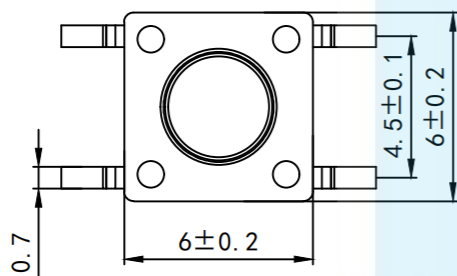
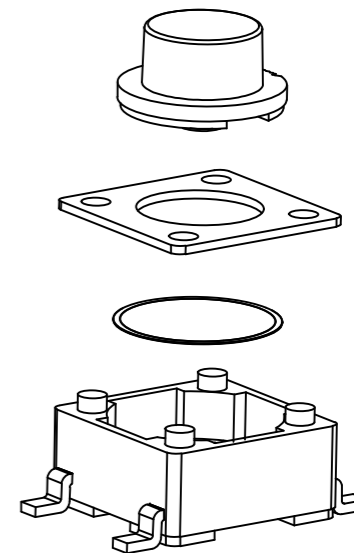
1. Rating: 50mA DC12V
2. Contact resistance: $\leq 50m\Omega$
3. Operating force: $250 \pm 40gf$
4. Itinerary: $0.25 \pm 0.1mm$
5. Insulation resistance: $\geq 100M\Omega$
6. Electrical strength: 250V 50HZ 1Min.
7. life span: 100,000 Cycles

TOLERANCE		东莞市恒祺电子科技有限公司 Dongguan Hengqi Electronic Technology Co., Ltd	
X. XXX	± 0.05	https://www.hq-dz.com phone:15812872448	
X. XX	± 0.15	TITLE: 轻触开关	
X. X	± 0.20	PART NO: HQ-TS-D003	
X.	± 0.30	DRAWING NO: 6*6*H脚距8.6	
ANGLE	$\pm 5.0^\circ$		
PROTECTON		DRAWN:	DATE: 18-10-08
		CHECKED:	DATE: 18-10-08
		APPROVED:	DATE: 18-10-08
		UNIT: mm	SCALE: FULL
		SIZE: A4	

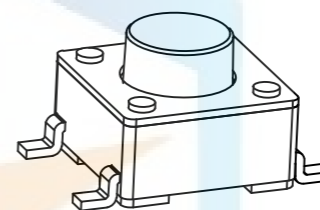
RoHS2.0
Compliant



电路图



PCB. 焊接图



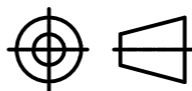
Key Technical Specifications:

1. Rating: 50mA DC12V
2. Contact resistance: $\leq 50m\Omega$
3. Operating force: $160 \pm 40gf$
4. Itinerary: $0.35 \pm 0.1mm$
5. Insulation resistance: $\geq 100M\Omega$
6. Electrical strength: 250V 50HZ 1Min.
7. life span: 1000,000 Cycles

TOLERANCE

X. XXX	± 0.05
X. XX	± 0.15
X. X	± 0.20
X.	± 0.30
ANGLE	$\pm 5.0^\circ$

PROTECTON



东莞市恒祺电子科技有限公司

Dongguan Hengqi Electronic Technology Co., Ltd

<https://www.hq-dz.com>

phone: 15812872448

TITLE:

轻触开关

PART NO: HQ-TS-D003

DRAWING NO: 6*6*H脚距10.0

DRAWN:

DATE:

18-10-08

UNIT:
mm

CHECKED:

DATE:

18-10-08

SCALE:
FULL

APPROVED:

DATE:

18-10-08

SIZE:
A4